



Valves

Handling the world's dry bulk solids®

VORTEX® QUICK CLEAN ORIFICE GATE™

The Vortex® Quick Clean Orifice Gate™ is a Clean Out of Place gate valve designed for frequent cleaning. The valve features a full-port opening and self-cleaning design. It can be disassembled and assembled in minutes without any tools. The valve can be modified to a USDA Dairy Standard Accepted rating and is an excellent choice for applications requiring daily sanitation of equipment. The Quick Clean Orifice Gate™ is designed to eliminate problems, enabling you to meet your objectives by increasing production, while decreasing labour and equipment costs.

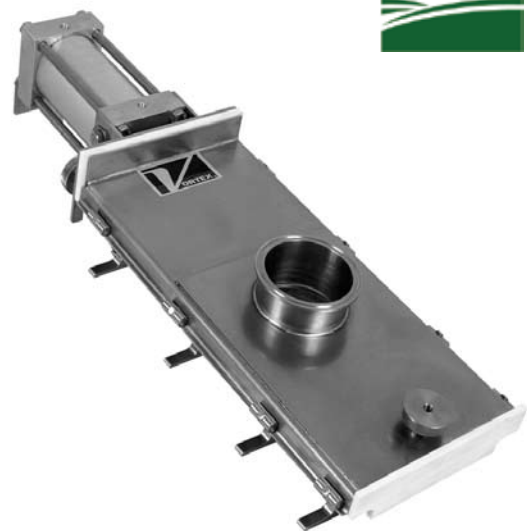
Vortex® Quick Clean Orifice Gate™ Features

- FDA Approved Materials, USDA Dairy Standard Accepted Available
- Positive Seal of Dust and Fine Powders
- Valve Internals Accessed without Tools
- Easy Installation and Maintenance



Valve Specifications

| | |
|----------------------------|---|
| Size/Bore Options | 50mm to 200mm Diameters |
| Media | Powder, Pellets, Granulars |
| Connection | Ferule Connection, and/or Tube Stub |
| Media Temperature | Up to 82°C continuous service, Modifications allow up to 121°C continuous service |
| Media Pressure | 0 barg, Gravity Flow Only |
| Metal Construction Options | 304 or 316L Stainless Steel Valve Body |
| Seal/Seat Material Options | PET, Silicon Sponge, and/or USDA Dairy rated Silicon |
| Drive/Actuation Options | Double Acting Air Cylinder with Solenoid Operated Air Control Valve |
| Position Confirmation | Magnetic Reed Switch |
| Compliance/Approvals | CE, ATEX, FDA, USDA |
| Industry Use | Pharmaceuticals, Pigments, Chemicals, Dairy |



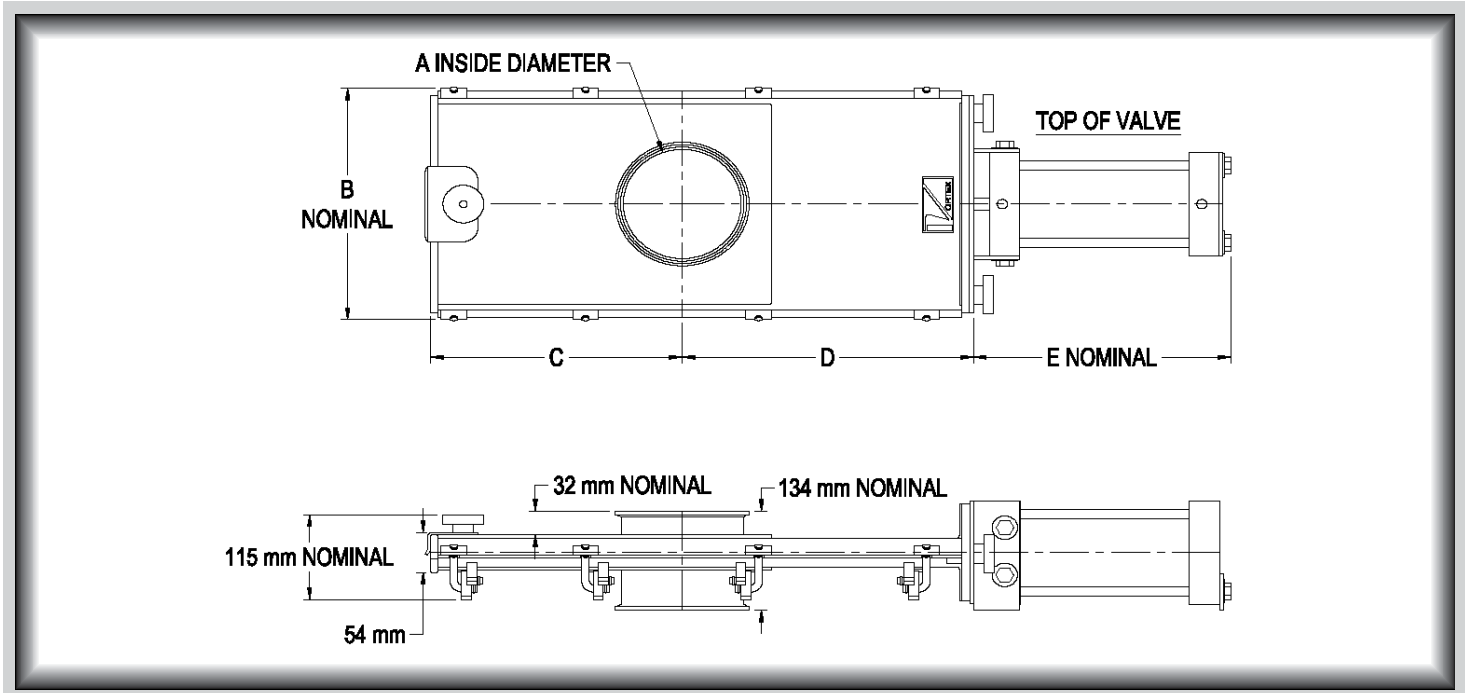
Patent No. 5938175

Application Specific Modifications

| | |
|-----|---|
| S | Material contact is 316L stainless steel. |
| NP | Nickel plated aluminium air cylinder. |
| SAN | USDA Dairy Standard Accepted. |



VORTEX® QUICK CLEAN ORIFICE GATE™ DIMENSIONAL INFORMATION



| Model | Tube Size | A | B | C | D | E | WT (kg) |
|-------|-----------|-----|-----|-----|-----|-----|---------|
| Q02 | 51 | 48 | 203 | 162 | 213 | 213 | 14 |
| Q03 | 76 | 73 | 232 | 200 | 251 | 238 | 18 |
| Q04 | 102 | 98 | 260 | 238 | 289 | 264 | 23 |
| Q05 | 127 | 124 | 286 | 276 | 327 | 295 | 27 |
| Q06 | 152 | 149 | 311 | 314 | 365 | 321 | 36 |
| Q08 | 203 | 200 | 359 | 391 | 441 | 371 | 50 |

All dimensions are in mm, Information subject to change without notice.